

Tohum İşleme ve İyileştirme Teknolojik Çözüm ortağınız

Your 'Seed Processing & Conditioning' Partner.

www.akyurektd.com

**PLASTİK KOVALI  
ELEVATÖRLER**



**PLASTIC BUCKET  
ELEVATOR**



CE

ISO 9001 - 2008  
QUALITY ASSURANCE

Ürün Kodu/Product Code

**P.ELEV-0012**

# Plastik Kovalı Elevatör

## Görevi:

Tüm kuru taneli gıda ürünlerinin dikey taşınmasında gereksinim duyulan makinedir. Sabit ve sayar modelleri vardır. Değişik ölçülerde imal edilebilir.

## Çalışma Prensipleri:

Yer çekimi boşaltımlı veya merkezkaç boşaltımlı dizayn edilmiş elevatörlerimiz her tür dökme materyal ürününü taşıyabilme kabiliyetine sahiptir. Elevatörlerimiz besleme havuzuna dökülen maldan kova ile ürünü alır ve elevatör elevatör üst kaidesinde bulunan döküm haznesine dikey olarak taşır.

## Dizayn:

Akyürek, Plastik Kovalı Elevatörlerini "Yer çekimi Boşaltımlı" veya Merkezkaç Boşaltımlı" olarak müşteri ihtiyacına göre tasarlamaktadır.

## Ayrıntı Özellikleri:

- \* Tümü fabrika montajlı
- \* Çok seçeneekli elevatör konstrüksiyonları tesislerimizde her ihtiyacı karşılayabilecek şekilde üretilebilmektedir. ( Yükseklik, kayış genişliği, kayış kalitesi, devir hızı, kapasite vb.)
- \* Fırınlı Boya ve Akrilik Anti statik boyanmış ve kayış makaraları aşınmaya dayanıklı.
- \* Kolay bakım ve ileriki değişiklikler için tüm elevatör gövdesi vida, civata ve somun ile monte edilir.
- \* Hatasız üretim için Elevatör gövde demiş parçaları Laser ile kesilir.
- \* Kapalı bütünleşmiş sistem ile güvenli çalışma sahası.
- \* Düşük maliyetli koruyucu bakım ve 1 ( bir ) parça garantili.
- \* 25 metreye kadar kendini taşıyabilen yapı ISO 9001 CE sertifikalı üretim
- \* Talep üzerine Atex sertifikalı üretim

## Standart Üretim:

- \* Tümü ile fabrika montaj
- \* Redüktör Motorlu
- \* Standart yükseklik 4,0 metre
- \* Motor kablın bağlantılı
- \* Hatasız üretim için Elevatör gövde demiş parçaları Laser ile kesilir.
- \* Kolay bakım ve ileriki değişiklikler için tüm elevatör gövdesi vida, civata ve somun ile monte edilir.
- \* Elevatörlerin gövde parçaları Fırınlı boyama ve Akrilik Anti statik boya ile kaplanır.
- \* Boya kodu: Ral 9100
- \* ISO 9001-2008 Sertifikalı Üretim **CE**
- \* Düşük maliyetli koruyucu bakım ve 1 (bir) yıl marka garantili

# Plastic Bucket Elevator

## Function

P-ELEV 0012 Elevator is necessary vertical transportation of all grains, seed and pulse crops. Akyurek Production can accommodate all necessary height and capacity requirements. There are both fixed and portable model of the machine.

## Working Principle

'Gravity assisted discharge' or 'Centrifugal discharge' elevator can elevate a variety of bulk materials from light to heavy and from fine to large lumps. P-ELEV 0012 elevator picks up load from boot, pit, or a pile of material at the foot pulley and convey from fine to large lumps. P-ELEV 0012 elevator picks up load from boot, pit, or a pile of material at the foot pulley and convey to the discharge chute.

## Design

Akyurek Bucket Elevators are available in the typical 'Gravity Assisted Discharge' or 'Centrifugal discharge' configuration, design to the customers' needs.

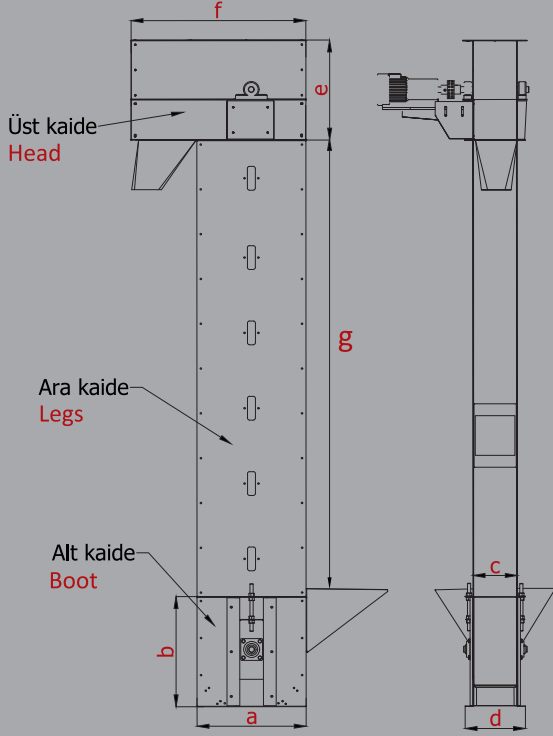
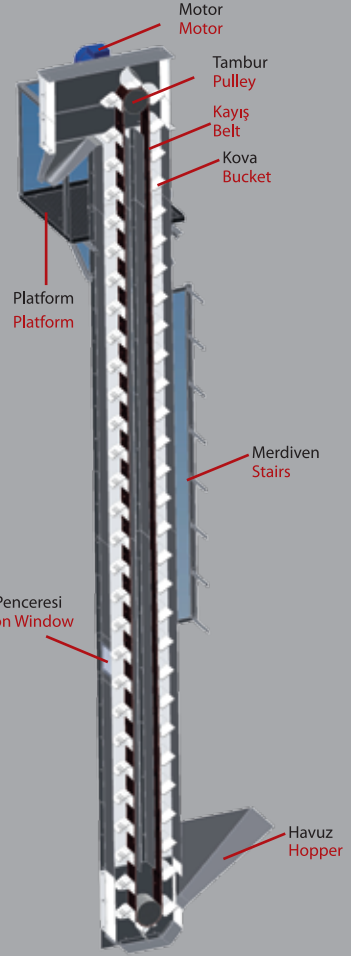
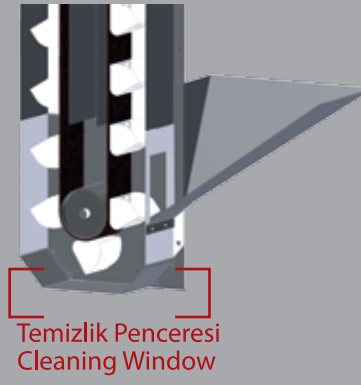
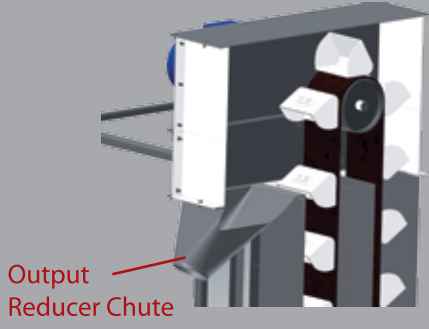
## Distinguishing Features

- \* Full factory assembled
- \* Highly flexible construction to meet a wide range of requirements ( height, belt width, belt speed and belt quality) and to suit individual plant layouts.
- \* Acrylic Antistatic Owen Powder Painted finish Incorporating belt rolls of hard-wearing material.
- \* The elevator construction All Through nut Bolt and Gasket connected for easy maintenance or future extension.
- \* Totally enclosed design offering maximum security during operation.
- \* Low maintenance costs and one-year parts warranty.
- \* Up to 25 meter self supporting structure
- \* ISO 9001 CE certified equipment.
- \* Atex certificated production on demand.

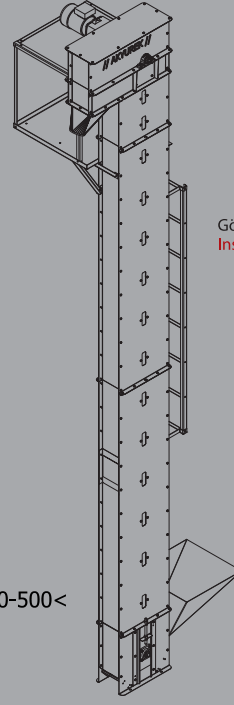
## Standard Production

- \* Fully factory assembled
- \* Complete with geared motor
- \* Standard height is 4,0 m.
- \* Elevator chain guard.
- \* The elevator components are Laser Cut Steel for precise manufacturing.
- \* The elevator construction All Through nut Bolt and Gasket connected for easy maintenance or future extension.
- \* The elevator is All Through Paint: Acrylic Antistatic Owen Powder Painted.
- \* Paint Code: 9100
- \* ISO 9001 EU Certified Equipment **CE**
- \* Low maintenance costs and one-year parts warranty.





uzunluk=>2300-2000-1500-1000-500<  
height



P.ELEV-0012 Teknik Cetvel	Ölçüler							Kapasite	Motor Gücü	Standart Volt	Opsiyonel Volt	Yapı Malzemeleri	Kova Genişlikleri	Metre Başı Kova Adedi	Kova Yapı Malzemeleri	Kayış Opsiyonları
Tech Chart P.ELEV-0012	Dimensions							Capacity	Engine Power	Standard Volt	Optional Voltage	Construction Options	Bucket Width	Buckets Per/meter	Buckets type Options	Belt Options
Models	a	b	c	d	e	f	g									
100	460	424	173	254	441	780	0,5m	3,75 m <sup>3</sup> /hr	0,55 Kw 70 RPM	380 volt	220-440 volt	Karbon Çelik Tüm yada Ürün Kontak Krom - Galvanizli	100 mm	7	Plastik Karbon Çelik Krom	PVC- Kauçuk-
150	550	555	222	300	500	880	0-5m	7,1 m <sup>3</sup> /hr	0,75 Kw 80 RPM				150mm	5		
200	706	706	285	365	660	1110	0-5m	19,3 m <sup>3</sup> /hr	1,1 Kw 80 RPM				200mm	4		
250	785	825	370	450	680	1200	0-5m	22,5 m <sup>3</sup> /hr	1,5 Kw 63 RPM			Carbon Steel All or Part	250mm	4	Plastic Carbon Steel Chrome	PVC- Rubber-
300	1000	1100	410	575	905	1525	0-5m	32,4 m <sup>3</sup> /hr	2,2 Kw 63 RPM			Stainless Steel Galvanized	300mm	3		

Yukarıda ki tablo örnek amaçlı sunulmuştur. Daha yüksek kapasite ve yükseklikte elevatörlerin detayları talebiniz üzeri değerlendirmenize sunulmaktadır.  
Above chart is for guiding purposes. Akyurek manufactures larger capacity and taller elevators and their specs are available up on your request.

# Representatives

  
**Bulgaria**  
 Company / Person: TECHNOMASH INVEST  
 LTD Veli AHMEDOV - Guner TUNA  
 Address: 7000 Rousse, Tsar Ferdinand 32,  
 Office 1  
 Country: Bulgaria  
 City: Rousse  
 Phone: +359 82596309  
 Fax: +359 82596309  
 Mail: tmi@tmi-bg.com

  
**Romania**  
 Company / Person: A.S.I. SC. AGRITRANS  
 SERVICE INTERNATIONAL SRL  
 Country: Romania  
 City: CONSTANTA  
 Phone: 00 40 744 633380  
 Fax: 00 40 341 816811  
 Mail : office@agritrans.ro

  
**Etiyopya**  
 Company / Person: ALPHA TRADING  
 PARTNER PLC.  
 Address: P.O. Box 1533 code 1250  
 Country: Etopya  
 City: Addis Ababa  
 Phone: 00 251 11 515 1920  
 00 251 11 552 8084  
 Fax: 00 251 11 552 80855  
 Mail: 00 251 11 552 80855

  
**Israel**  
 Company / Person: DAGAN GRAINS & SEEDS  
 Address: Moshav Beer Tuvia  
 Country: Israel  
 City: Isreal  
 Phone: 00 972 8 858 0808  
 Fax: 00 972 8 850 3646  
 Mail: amos@synergypet.co.il

  
**Malaysia**  
 Company / Person: AGRO INDUSTRIAL  
 SUPPLIES (M) SDN. BHD.  
 Address: Lot 25-28&32, Kaw. Perusahaan Bandar  
 Darulaman, 06000 Jitra, Kubang Pasu, Kedah  
 Darul Aman  
 Country: Malaysia  
 City: Malaysia  
 Phone: 00 6 04 917 9591  
 Fax: 00 6 04 917 9596  
 Mail: info@agro-indus.com

  
**Indonesia**  
 Company / Person: AGRO INDUSTRIAL  
 SUPPLIES (M) SDN. BHD.  
 Address: Lot 25-28&32, Kaw. Perusahaan Bandar  
 Darulaman, 06000 Jitra, Kubang Pasu, Kedah  
 Darul Aman  
 Country: Indonesia  
 City: Malaysia  
 Phone: 00 6 04 917 9591  
 Fax: 00 6 04 917 9596  
 Mail: info@agro-indus.com

  
**Syria**  
 Company / Person: KASIM IBO  
 Address: Aleppo-Solymanya  
 Country: Syria  
 City: Aleppo  
 Phone: 00963933098261  
 Fax: 00963214668030  
 Mail: k-ibo.co@hotmail.com


  
**Cambodia**  
 Company / Person: AGRO INDUSTRIAL  
 SUPPLIES (M) SDN. BHD.  
 Address: Lot 25-28&32, Kaw. Perusahaan Bandar  
 Darulaman, 06000 Jitra, Kubang Pasu, Kedah  
 Darul Aman  
 Country: Cambodia  
 City: Malaysia  
 Phone: 00 6 04 917 9591  
 Fax: 00 6 04 917 9596  
 Mail: info@agro-indus.com

  
**Vietnam**  
 Company / Person: AGRO INDUSTRIAL  
 SUPPLIES (M) SDN. BHD.  
 Address: Lot 25-28&32, Kaw. Perusahaan Bandar  
 Darulaman, 06000 Jitra, Kubang Pasu,  
 Kedah Darul Aman  
 Country: Vietnam  
 City: Malaysia  
 Phone: 00 6 04 917 9591  
 Fax: 00 6 04 917 9596  
 Mail: info@agro-indus.com

  
**Thailand**  
 Company / Person AGRO INDUSTRIAL  
 SUPPLIES (M) SDN. BHD.  
 Address: Lot 25-28&32, Kaw. Perusahaan Bandar  
 Darulaman, 06000 Jitra, Kubang Pasu, Kedah  
 Darul Aman  
 Country: Thailand  
 City: Malaysia  
 Phone: 00 6 04 917 9591  
 Fax: 00 6 04 917 9596  
 Mail: info@agro-indus.com

  
**Philippines**  
 Company / Person AGRO INDUSTRIAL  
 SUPPLIES (M) SDN. BHD.  
 Address: Lot 25-28&32, Kaw. Perusahaan Bandar  
 Darulaman, 06000 Jitra, Kubang Pasu,  
 Kedah Darul Aman  
 Country: Philippines  
 City: Malaysia  
 Phone: 00 6 04 917 9591  
 Fax: 00 6 04 917 9596  
 Mail: info@agro-indus.com

  
**Poland**  
 Company / Person: BROMEX  
 Address: 99-400 Lowicz, ul. Nadbzrzanska 28  
 Country: Poland  
 City: POLAND  
 Phone: 00 48 43 67 68 901  
 Fax: 00 48 43 67 68 902  
 Mail: broniarek@bromex.com.pl


  
**Sudan**  
 Company / Person: ABDALLA ELMAHAL  
 COFFTEA TRADING LTD  
 ALGAMHORIA STR. COFFTEA BUILDING  
 KHARTOUM  
 Country: Sudan  
 City: SUDAN  
 Phone: 00249183774530  
 Mail: elmahal@hotmail.com

  
**Nigeria**  
 Company / Person: Ramzi TAHER  
 RMM Global Company  
 7 MAI Malavi Road  
 Country: Nigeria  
 City: Kano  
 Phone: +234 0 64 988181  
 Mail: knrmkn@yahoo.com

# Представители

  
**Bulgaria**  
 О компании / Лица TECHNOMASH INVEST  
 LTD- Veli AHMEDOV - Guner TUNA  
 Адрес: 7000 Rousse, Tsar Ferdinand 32, office 1  
 Страна: Bulgaria  
 Город: Rousse  
 Телефон: +359 82596309  
 Факс: +359 82596309  
 Почта: tmi@tmi-bg.com

  
**Romania**  
 О компании / Лица A.S.I. SC. AGRITRANS  
 SERVICE INTERNATIONAL SRL  
 Страна: Romania  
 Город: CONSTANTA  
 Телефон: 00 40 744 633380  
 Факс: 00 40 341 816811  
 Почта: office@agritrans.ro

  
**Ethiopia**  
 О компании / Лица ALPHA TRADING  
 PARTNER PLC.  
 Адрес: P.O. Box 1533 code 1250  
 Страна: Ethiopia  
 Город: Addis Ababa  
 Телефон: 00 251 11 515 1920  
 00 251 11 552 8084  
 Факс: 00 251 11 552 80855  
 Почта: 00 251 11 552 80855

  
**Israel**  
 О компании / Лица DAGAN GRAINS & SEEDS  
 Адрес: Moshav Beer Tuvia  
 Страна: Israel  
 Город: Isreal  
 Телефон: 00 972 8 858 0808  
 Факс: 00 972 8 850 3646  
 Почта: amos@synergypet.co.il

  
**Malaysia**  
 О компании / Лица AGRO INDUSTRIAL  
 SUPPLIES (M) SDN. BHD.  
 Адрес: Lot 25-28&32, Kaw. Perusahaan Bandar  
 Darulaman, 06000 Jitra, Kubang Pasu,  
 Kedah Darul Aman  
 Страна: Malaysia  
 Город: Malaysia  
 Телефон: 00 6 04 917 9591  
 Факс: 00 6 04 917 9596  
 Почта: info@agro-indus.com

  
**Indonesia**  
 О компании / Лица AGRO INDUSTRIAL  
 SUPPLIES (M) SDN. BHD.  
 Адрес: Lot 25-28&32, Kaw. Perusahaan Bandar  
 Darulaman, 06000 Jitra, Kubang Pasu, Kedah  
 Darul Aman  
 Страна: Indonesia  
 Город: Malaysia  
 Телефон: 00 6 04 917 9591  
 Факс: 00 6 04 917 9596  
 Почта: info@agro-indus.com

  
**Syria**  
 О компании / Лица KASIM IBO  
 Адрес: Aleppo-Solymanya  
 Страна: Syria  
 Город: Aleppo  
 Телефон: 00963933098261  
 Факс: 00963214668030  
 Почта: k-ibo.co@hotmail.com

  
**Cambodia**  
 О компании / Лица AGRO INDUSTRIAL  
 SUPPLIES (M) SDN. BHD.  
 Адрес: Lot 25-28&32, Kaw. Perusahaan Bandar  
 Darulaman, 06000 Jitra, Kubang Pasu, Kedah  
 Darul Aman  
 Страна: Cambodia  
 Город: Malaysia  
 Телефон: 00 6 04 917 9591  
 Факс: 00 6 04 917 9596  
 Почта: info@agro-indus.com

  
**Vietnam**  
 О компании / Лица AGRO INDUSTRIAL  
 SUPPLIES (M) SDN. BHD.  
 Адрес: Lot 25-28&32, Kaw. Perusahaan Bandar  
 Darulaman, 06000 Jitra, Kubang Pasu, Kedah  
 Darul Aman  
 Страна: Vietnam  
 Город: Malaysia  
 Телефон: 00 6 04 917 9591  
 Факс: 00 6 04 917 9596  
 Почта: info@agro-indus.com

  
**Thailand**  
 О компании / Лица AGRO INDUSTRIAL  
 SUPPLIES (M) SDN. BHD.  
 Адрес: Lot 25-28&32, Kaw. Perusahaan Bandar  
 Darulaman, 06000 Jitra, Kubang Pasu, Kedah  
 Darul Aman  
 Страна: Thailand  
 Город: Malaysia  
 Телефон: 00 6 04 917 9591  
 Факс: 00 6 04 917 9596  
 Почта: info@agro-indus.com

  
**Philippines**  
 О компании / Лица AGRO INDUSTRIAL  
 SUPPLIES (M) SDN. BHD.  
 Адрес: Lot 25-28&32, Kaw. Perusahaan Bandar  
 Darulaman, 06000 Jitra, Kubang Pasu, Kedah  
 Darul Aman  
 Страна: Philippines  
 Город: Malaysia  
 Телефон: 00 6 04 917 9591  
 Факс: 00 6 04 917 9596  
 Почта: info@agro-indus.com

  
**Poland**  
 О компании / Лица BROMEX  
 Адрес: 99-400 Lowicz, ul. Nadbzrzanska 28  
 Страна: Poland  
 Город: POLAND  
 Телефон: 00 48 43 67 68 901  
 Факс: 00 48 43 67 68 902  
 Почта: broniarek@bromex.com.pl

  
**Sudan**  
 О компании / Лица ABDALLA ELMAHAL  
 COFFTEA TRADING LTD  
 ALGAMHORIA STR. COFFTEA BUILDING  
 KHARTOUM/SUDAN  
 Страна: Sudan  
 Город: SUDAN  
 Телефон: 00249183774530  
 Почта: elmahal@hotmail.com

  
**Nigeria**  
 Представитель : Ramzi TAHER  
 Компания : RMM Global Company  
 Адрес : 7 MAI Malavi Road  
 Город: Kano  
 Страна: Nigeria  
 Телефон: +234 0 64 988181  
 Эл. Почта: knrmkn@yahoo.com

## AKYUREK TECHNOLOGY

Address : Karaduvar Mah. 65117 Sk. No:37  
 Post Code : 33020  
 Phone : (+90) 324 234 47 48 - 234 47 59

Fax : (+90) 324 234 47 07  
 Web : www.akyurekltd.com

## AKYUREK TECHNOLOGY

Karaduvar Avenue 65117 Street No:37 Mersin/Turkey  
 Индекс : 33020  
 телефон : +90-324 234 47 48 +90-324 234 47 59  
 +90-324 234 37 14 +90-324 234 47 10  
 факс : +90-324 234 47 07  
 Web : www.akyurek.ru

## www.akyurekltd.com

Akyurek Kardesler San.T.c.Ltd.Sti. Have all the copyrights of the information and pictures provied in this catalogue. We have all rights to do necessary adjustments on the product & these changes may not reflect on the catalogue at the moment of production. We will do our upmost to inform you all the changes if and when.

Все права собственности и авторские права на данный каталог принадлежать компании "Akyurek Kardesler San. Tic. Ltd. Sti." Данный каталог защищен законами Республики Турция, а также международными законами об авторском праве и смежных правах. Копирование, или повторное использование текста, иллюстраций и фотографий в любых СМИ приведенных в данном каталоге, позволены только с нашего письменного разрешения. "Akyurek Kardesler San. Tic. Ltd. Sti." оставляет за собой право внести изменение в содержание материалов или в технические характеристики представленных в данном каталоге в любое время по собственному усмотрению.

