

Tohum İşleme ve İyileştirme Teknolojik Çözüm ortağınız

Your 'Seed Processing & Conditioning' Partner.



www.akyurektd.com

**HASSAS TEMİZLEME
ELEME MAKİNESİ**

**FINE SCREEN
CLEANER**

 **AKYUREK**[®]
technology


ISO 9001 - 2008
QUALITY ASSURANCE

Ürün Kodu/Product Code

O.TEM-005-1



TEK TEKNELİ HASSAS TEMİZLEME ELEME MAKİNESİ

Makinenin Görevi

Bakliyat, hububat ve özellikle çekirdek gibi kuru taneli ürünlerin temizlenmesi, organik ve ya organik olmayan yabancı maddelerden ayrılması için geliştirilmiş bir makinedir. Makine ürün içerisindeki:

- Hafiftane ve cıvz ürünleri vakum odası sayesinde üründen ayırır.
 - İnce ve cıvz küçük daneler elek sayesinde üründen ayırt edilebilir, elek altı.
- Elek seçimizini sayesinde, ön temizlemeden geçmiş ürünün boylama işleminde yapılabilir, iki boy.

Çalışma Prensipleri

Posta elevatörü yardımı ile ayarlanabilir klapeli besleme haznesine dökülen ürünün tozu vakum odasından geçerken birinci kez alınır. Ürün elek üstünde eksantriğin vermiş olduğu titreşim ile ilerler. Elek temizleyici veya boylayıcı olarak kullanılabilir. Makineye önceden takılmış eleğin numarasına göre, üründen ufak ve ağır partiküller elek deliklerinden geçer ve elek altı elde edilir. Aynı esnada eleğin üstünde bulunan ürün vakum odasının yaratmış olduğu dört adet hava emiş kanalı ile cıvz ve hafif tanelerden temizlenir. İlk elekte ince ürün ayrılır ve hafif taneler vakum ile ayrılır.

Her bir ürün beş defa vakum ile temizlemeye maruz kalır ve buda elde edilebilecek en iyi aspirasyon temizliğidir. Hava emiş oranı ayarlanma özelliğine sahiptir. Elek altı temizleme sistemi gidip gelen fırçalardan meydana geldiği için eleklerde tıkanma meydana gelmez.

SINGLE DECK FINE SCREEN CLEANER

Function

O-TEM 005 - Single Deck Cleaner machine is for cleaning of all type of dry and granulated seeds from organic and non organic impurities.

Single Deck Cleaner Machine can separate:

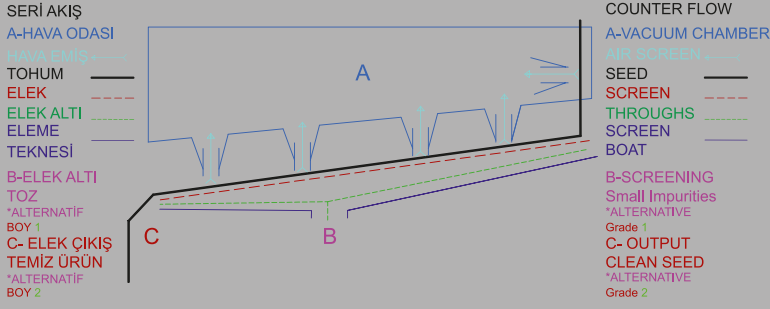
- Small impurities by means of screening / sieve.
 - Light impurities by means of 5 times Air Screening.
- Screen lay out would change the purpose and task.

Work Principle

The product is poured into the inlet which has an adjustable feed gate. Whilst product is falling down through the vacuum chamber on screen, fine particles are separated, at pre-suction stage first of five. Screen with small perforation is deployed for separation of small impurities from product at the first deck. Whilst the small impurity separation is carried out at the first deck at the same time vacuum chamber ensures a homogenous airflow with hand-operated adjustable our airlifting channels and air screens by sucking the light product up through the airlifting channel in to the vacuum chamber where these light impurities are discharge by screw conveyor from the chamber. Seeds that is separated from small impurities and light impurities leaves the machine from the Cleaner outlet point. Small impurities leaves the cleaner from deck chute which is located either left or right side of the machine below the deck.

Tohum Akış Şeması
TEK TEKNELİ HASSAS ELEK

O.TEM-005 -1 Seed Flow Schematic of
SINGLE DECK FINE CLEANER



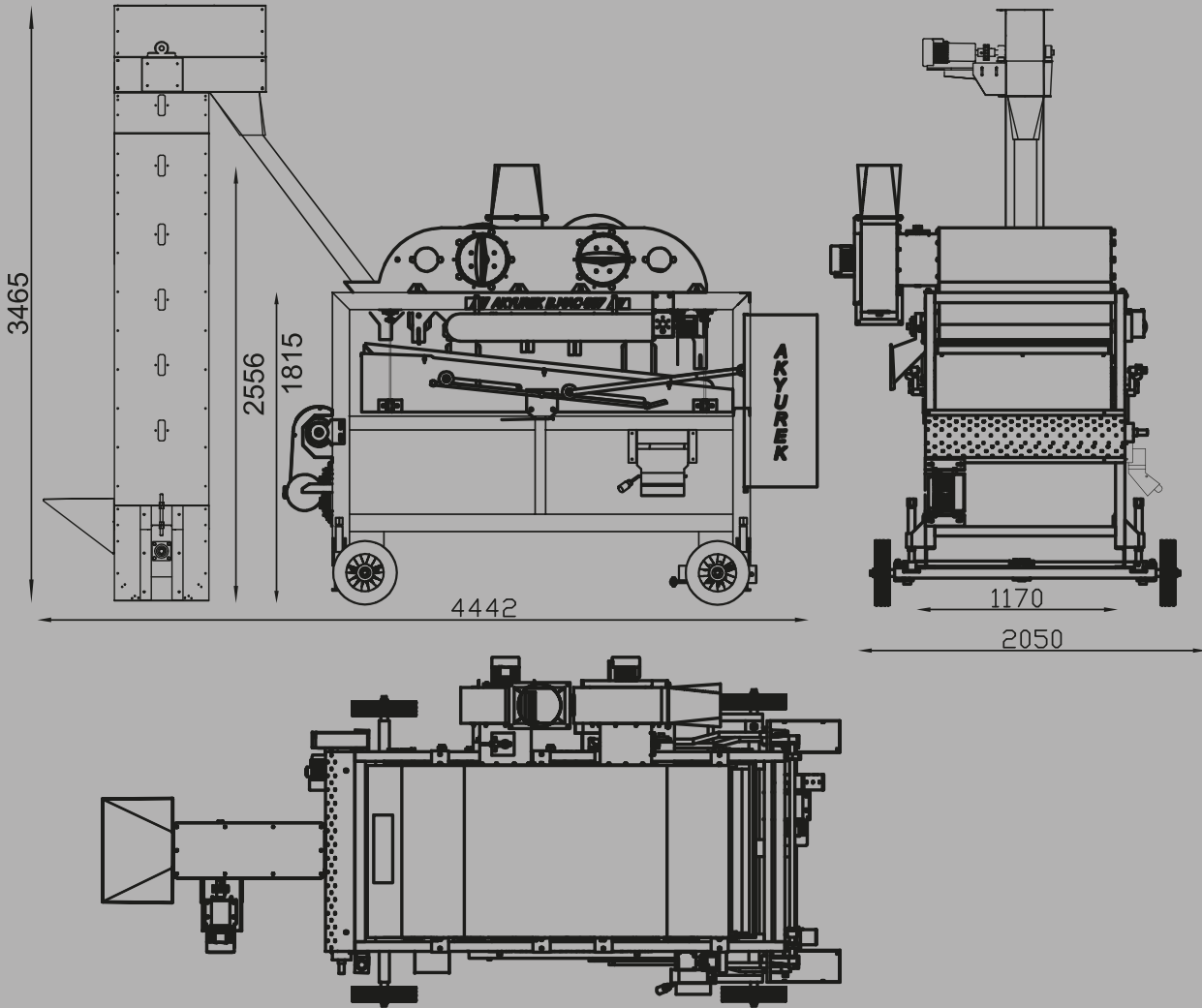
* Elek seçiminiz alternatif oluşturur

* Screen choice would change purpose and task.

Teknik Cetvel	Technical Info	
Aspiratör No.	Aspirator No.	2
Kullanılan Hava Miktarı m ³ /h	Air Consumption m ³ /h	12,600 m ³ /h
Ayarlanabilir Hava Vakum Kanal Sayısı	Adjustable Air Vacuum Channel Numbers	5
Ürünün Hava Vakumuna Maruz Sayısı	Number of times product exposed to vacuum	5
Elek Ölçüleri	Screen Dimensions	1000 * 2000 mm
Eleme Alanı	Screening Area	2 m ²
Elek Sayısı	Screen Numbers	1
Toplam Elek Fırça Sayısı	Total Number of Brushes	5
Elek Tekne No.	Screening Boats	1
Motor Sayısı	Number of Motors	5
Toplam Güç İhtiyacı	Total Power Requirement	6,3 kw
Standart Volt	Standard Volt	380
Opsiyonel Volt	Optional Volt	220-440
Ağırlık	Weight	1150
Vibrasyon	Vibration	Eksantrik Eccentric

Ürün Adı	Kapasite tn/st
Product	Capacity tn/hr
Soya	3-5
Soybean	3-5
Nohut	3-5
Chickpea	3-5
Fasulye	3,5-5,5
Bean	3,5-5,5
Barbunya	2,5-4
Kidney	2,5-4
Fiğ	2-4
Vetch	2-4
Susam	2-3
Sesame	2-3
Mercimek	2-4
Lentil	2-4
Buğday	3,5-5
Wheat	3,5-5
Pirinç	1,9-3
Rice	1,9-3
Ayçekirdeği	1-2,5
Sunflower	1-2,5
Kimyon	0,8-1
Cumin	0,8-1

TEK TEKNELİ HASSAS ELEK **O.TEM-005 -1**
SINGLE DECK FINE CLEANER



Opsiyonel Yardımcı Ekipmanlar

Plastik Kovalı Elevatör veya
Sonsuz Kovalı Z Elevatör
Siklon - Hava Kilidi
Kıçıkçıran
Tarar

Optional Helper Equipments

Plastic Bucket Elevator or
Contious Cup Z Elevator
Cyclone- Airlock
De-Awver
Pre-Clean Aspiration Box

Giren ürün miktarı ve çıkan ürün miktarı birbirine bağlı olan etkenlerdir ve üründeki kirlilik oranı ile alakalıdır. Yukarıda bahsi geçen kapasiteler üründeki kirlilik oranı ve elde edilmek istenen temizlik oranı ile bağlantılıdır. Ayrıca makine tek başına veya tesise entegre olması da ürün temizleme bazında makine kapasitesine etkindir.

Please note that the input and output quantities that can be obtained interdependent and also depend on the input contamination. The throughput capacities shown are also dependent on the



ISO 9001 - 2008
QUALITY ASSURANCE

Ürün Kodu/Product Code **O.TEM-005-1**

Representatives


Bulgaria
 Company / Person: TECHNOMASH INVEST LTD Veli AHMEDOV - Guner TUNA
 Address: 7000 Rousse, Tsar Ferdinand 32, Office 1
 Country: Bulgaria
 City: Rousse
 Phone: +359 82596309
 Fax: +359 82596309
 Mail: tmi@tmi-bg.com


Romania
 Company / Person: A.S.I. SC. AGRITRANS SERVICE INTERNATIONAL SRL
 Country: Romania
 City: CONSTANTA
 Phone: 00 40 744 633380
 Fax: 00 40 341 816811
 Mail : office@agritrans.ro


Etiyopya
 Company / Person: ALPHA TRADING PARTNER PLC.
 Address: P.O. Box 1533 code 1250
 Country: Etopya
 City: Addis Ababa
 Phone: 00 251 11 515 1920
 00 251 11 552 8084
 Fax: 00 251 11 552 80855
 Mail: 00 251 11 552 80855


Israel
 Company / Person: DAGAN GRAINS & SEEDS
 Address: Moshav Beer Tuvia
 Country: Israel
 City: Isreal
 Phone: 00 972 8 858 0808
 Fax: 00 972 8 850 3646
 Mail: amos@synergypet.co.il


Malaysia
 Company / Person: AGRO INDUSTRIAL SUPPLIES (M) SDN. BHD.
 Address: Lot 25-28&32, Kaw. Perusahaan Bandar Darulaman, 06000 Jitra, Kubang Pasu, Kedah Darul Aman
 Country: Malaysia
 City: Malaysia
 Phone: 00 6 04 917 9591
 Fax: 00 6 04 917 9596
 Mail: info@agro-indus.com


Indonesia
 Company / Person: AGRO INDUSTRIAL SUPPLIES (M) SDN. BHD.
 Address: Lot 25-28&32, Kaw. Perusahaan Bandar Darulaman, 06000 Jitra, Kubang Pasu, Kedah Darul Aman
 Country: Indonesia
 City: Malaysia
 Phone: 00 6 04 917 9591
 Fax: 00 6 04 917 9596
 Mail: info@agro-indus.com


Syria
 Company / Person: KASIM IBO
 Address: Aleppo-Solymanya
 Country: Syria
 City: Aleppo
 Phone: 00963933098261
 Fax: 00963214668030
 Mail: k-ibo.co@hotmail.com



Cambodia
 Company / Person: AGRO INDUSTRIAL SUPPLIES (M) SDN. BHD.
 Address: Lot 25-28&32, Kaw. Perusahaan Bandar Darulaman, 06000 Jitra, Kubang Pasu, Kedah Darul Aman
 Country: Cambodia
 City: Malaysia
 Phone: 00 6 04 917 9591
 Fax: 00 6 04 917 9596
 Mail: info@agro-indus.com


Vietnam
 Company / Person: AGRO INDUSTRIAL SUPPLIES (M) SDN. BHD.
 Address: Lot 25-28&32, Kaw. Perusahaan Bandar Darulaman, 06000 Jitra, Kubang Pasu, Kedah Darul Aman
 Country: Vietnam
 City: Malaysia
 Phone: 00 6 04 917 9591
 Fax: 00 6 04 917 9596
 Mail: info@agro-indus.com


Thailand
 Company / Person AGRO INDUSTRIAL SUPPLIES (M) SDN. BHD.
 Address: Lot 25-28&32, Kaw. Perusahaan Bandar Darulaman, 06000 Jitra, Kubang Pasu, Kedah Darul Aman
 Country: Thailand
 City: Malaysia
 Phone: 00 6 04 917 9591
 Fax: 00 6 04 917 9596
 Mail: info@agro-indus.com


Philippines
 Company / Person AGRO INDUSTRIAL SUPPLIES (M) SDN. BHD.
 Address: Lot 25-28&32, Kaw. Perusahaan Bandar Darulaman, 06000 Jitra, Kubang Pasu, Kedah Darul Aman
 Country: Philippines
 City: Malaysia
 Phone: 00 6 04 917 9591
 Fax: 00 6 04 917 9596
 Mail: info@agro-indus.com


Poland
 Company / Person: BROMEX
 Address: 99-400 Lowicz, ul. Nadbzrzanska 28
 Country: Poland
 City: POLAND
 Phone: 00 48 43 67 68 901
 Fax: 00 48 43 67 68 902
 Mail: broniarek@bromex.com.pl


Sudan
 Company / Person: ABDALLA ELMAHAL COFFTEA TRADING LTD
 ALGAMHORIA STR. COFFTEA BUILDING KHARTOUM
 Country: Sudan
 City: SUDAN
 Phone: 00249183774530
 Mail: elmahal@hotmail.com


Nigeria
 Company / Person: Ramzi TAHER
 RMM Global Company
 7 MAI Malavi Road
 Country: Nigeria
 City: Kano
 Phone: +234 0 64 988181
 Mail: knrmmkn@yahoo.com

Представители


Bulgaria
 О компании / Лица TECHNOMASH INVEST LTD- Veli AHMEDOV - Guner TUNA
 Адрес: 7000 Rousse, Tsar Ferdinand 32, office 1
 Страна: Bulgaria
 Город: Rousse
 Телефон: +359 82596309
 Факс: +359 82596309
 Почта: tmi@tmi-bg.com


Romania
 О компании / Лица A.S.I. SC. AGRITRANS SERVICE INTERNATIONAL SRL
 Страна: Romania
 Город: CONSTANTA
 Телефон: 00 40 744 633380
 Факс: 00 40 341 816811
 Почта: office@agritrans.ro


Ethiopia
 О компании / Лица ALPHA TRADING PARTNER PLC.
 Адрес: P.O. Box 1533 code 1250
 Страна: Ethiopia
 Город: Addis Ababa
 Телефон: 00 251 11 515 1920
 00 251 11 552 8084
 Факс: 00 251 11 552 80855
 Почта: 00 251 11 552 80855


Israel
 О компании / Лица DAGAN GRAINS & SEEDS
 Адрес: Moshav Beer Tuvia
 Страна: Israel
 Город: Isreal
 Телефон: 00 972 8 858 0808
 Факс: 00 972 8 850 3646
 Почта: amos@synergypet.co.il


Malaysia
 О компании / Лица AGRO INDUSTRIAL SUPPLIES (M) SDN. BHD.
 Адрес: Lot 25-28&32, Kaw. Perusahaan Bandar Darulaman, 06000 Jitra, Kubang Pasu, Kedah Darul Aman
 Страна: Malaysia
 Город: Malaysia
 Телефон: 00 6 04 917 9591
 Факс: 00 6 04 917 9596
 Почта: info@agro-indus.com


Indonesia
 О компании / Лица AGRO INDUSTRIAL SUPPLIES (M) SDN. BHD.
 Адрес: Lot 25-28&32, Kaw. Perusahaan Bandar Darulaman, 06000 Jitra, Kubang Pasu, Kedah Darul Aman
 Страна: Indonesia
 Город: Malaysia
 Телефон: 00 6 04 917 9591
 Факс: 00 6 04 917 9596
 Почта: info@agro-indus.com


Syria
 О компании / Лица KASIM IBO
 Адрес: Aleppo-Solymanya
 Страна: Syria
 Город: Aleppo
 Телефон: 00963933098261
 Факс: 00963214668030
 Почта: k-ibo.co@hotmail.com


Cambodia
 О компании / Лица AGRO INDUSTRIAL SUPPLIES (M) SDN. BHD.
 Адрес: Lot 25-28&32, Kaw. Perusahaan Bandar Darulaman, 06000 Jitra, Kubang Pasu, Kedah Darul Aman
 Страна: Cambodia
 Город: Malaysia
 Телефон: 00 6 04 917 9591
 Факс: 00 6 04 917 9596
 Почта: info@agro-indus.com



Vietnam
 О компании / Лица AGRO INDUSTRIAL SUPPLIES (M) SDN. BHD.
 Адрес: Lot 25-28&32, Kaw. Perusahaan Bandar Darulaman, 06000 Jitra, Kubang Pasu, Kedah Darul Aman
 Страна: Vietnam
 Город: Malaysia
 Телефон: 00 6 04 917 9591
 Факс: 00 6 04 917 9596
 Почта: info@agro-indus.com


Thailand
 О компании / Лица AGRO INDUSTRIAL SUPPLIES (M) SDN. BHD.
 Адрес: Lot 25-28&32, Kaw. Perusahaan Bandar Darulaman, 06000 Jitra, Kubang Pasu, Kedah Darul Aman
 Страна: Thailand
 Город: Malaysia
 Телефон: 00 6 04 917 9591
 Факс: 00 6 04 917 9596
 Почта: info@agro-indus.com


Philippines
 О компании / Лица AGRO INDUSTRIAL SUPPLIES (M) SDN. BHD.
 Адрес: Lot 25-28&32, Kaw. Perusahaan Bandar Darulaman, 06000 Jitra, Kubang Pasu, Kedah Darul Aman
 Страна: Philippines
 Город: Malaysia
 Телефон: 00 6 04 917 9591
 Факс: 00 6 04 917 9596
 Почта: info@agro-indus.com


Poland
 О компании / Лица BROMEX
 Адрес: 99-400 Lowicz, ul. Nadbzrzanska 28
 Страна: Poland
 Город: POLAND
 Телефон: 00 48 43 67 68 901
 Факс: 00 48 43 67 68 902
 Почта: broniarek@bromex.com.pl


Sudan
 О компании / Лица ABDALLA ELMAHAL COFFTEA TRADING LTD
 ALGAMHORIA STR. COFFTEA BUILDING KHARTOUM/SUDAN
 Страна: Sudan
 Город: SUDAN
 Телефон: 00249183774530
 Почта: elmahal@hotmail.com


Nigeria
 Представитель : Ramzi TAHER
 Компания : RMM Global Company
 Адрес : 7 MAI Malavi Road
 Город: Kano
 Страна: Nigeria
 Телефон: +234 0 64 988181
 Эл. Почта: knrmmkn@yahoo.com

AKYUREK TECHNOLOGY

Address : Cumhuriyet Bulvarı Çilek Mah. No:71
 Post Code : 33020
 Phone : (+90) 324 221 73 22 - 221 73 08

Fax : (+90) 324 221 73 10
 Web : www.akyurekpack.com

AKYUREK TECHNOLOGY

Karaduvar Avenue 65117 Street No:37 Mersin/Turkey
 Индекс : 33020
 телефон : +90-324 234 47 48 +90-324 234 47 59
 +90-324 234 37 14 +90-324 234 47 10
 факс : +90-324 234 47 07
 Web : www.akyurek.ru

www.akyurekltd.com

Akyurek Kardesler San.T.Ltd.Sti. Have all the copyrights of the information and pictures provied in this catalogue. We have all rights to do necessary adjustments on the product & these changes may not reflect on the catalogue at the moment of production. We will do our upmost to inform you all the changes if and when.

Все права собственности и авторские права на данный каталог принадлежать компании "Akyurek Kardesler San. Tic. Ltd. Sti." Данный каталог защищен законами Республики Турция, а также международными законами об авторском праве и смежных правах. Копирование, или повторное использование текста, иллюстраций и фотографий в любых СМИ приведенных в данном каталоге, позволены только с нашего письменного разрешения. "Akyurek Kardesler San. Tic. Ltd. Sti." оставляет за собой право вносить изменение в содержание материалов или в технические характеристики представленных в данном каталоге в любое время по собственному усмотрению.

